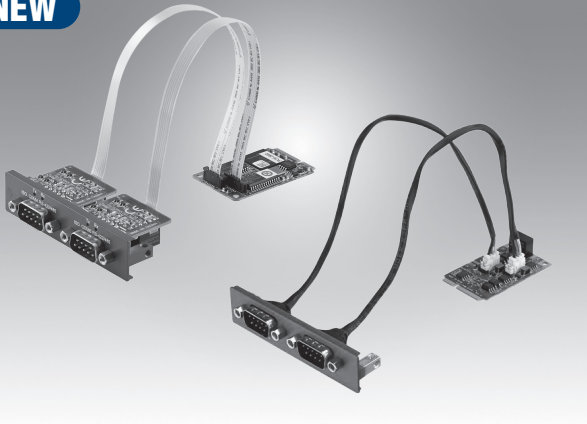


PCM-26D2CA

2-Port Isolated CANBus mPCIe, DB9

NEW



Features

- Meets Advantech iDoor technology standard
- PCI Express® Mini card specification revision 1.2 compliant
- Operates two separated CAN networks simultaneously
- High speed transmission up to 1 Mbps
- I/O address automatically assigned by PCIe plug & play
- Supports Win10, Linux Ubuntu 18.04/20.04
- Optical isolation protection of 2,500 V_{oc} ensures system reliability
- Includes Windows® DLL library and examples



Introduction

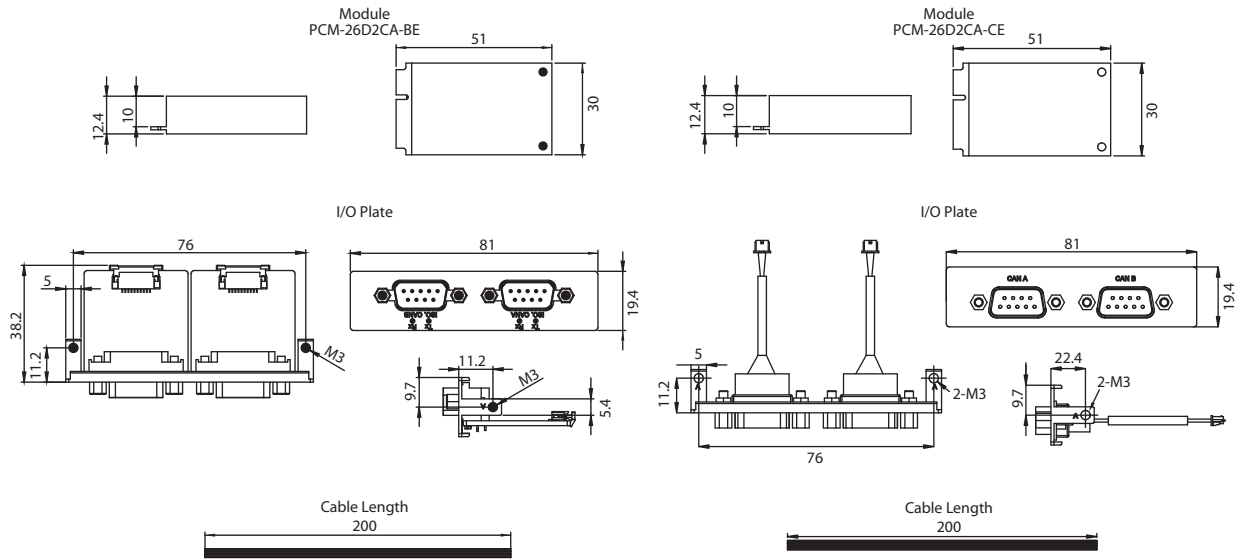
iDoor utilizing mini PCIe format allowing customers the flexibility for I/O and function expansion. The iDoor modules include expansion of wireless communication, industrial fieldbus, I/O and peripherals.

Specifications

		PCM-26D2CA-BE	PCM-26D2CA-CE
General	Bus Type	PCI Express Mini Card Revision 1.2	USB 2.0
	Certification	CE, FCC class A	
	Connectors	2 x Male DB9	
	Dimensions	Module: 51 x 30 x 12.4 mm (2" x 1.18" x 0.49")	
	Power Consumption	Typical : +5V @ 400 mA	
Communications	CAN Controller	NXP SJA-1000	F81604
	CAN Transceiver	NXP_TJA1051T	NXP_TJA1051T
	Protocol	CAN 2.0 A/B	
	Signal Support	CAN_H, CAN_L	
	Speed	1Mbps	500Kbps
	CAN Frequency	16MHz	24MHz
	Termination Resistor	120 Ohm (selected by jumper)	
Protection	Isolation Protection	2,500 V	
	ESD Protection	15 KV	
	EFT Protection	1KV	1KV
	Surge Protection	1,000 V _{oc}	1,000 V _{oc}
Software	CAN Bus Driver	Win10, Linux Ubuntu 18.04/20.04/24.04	
Environment	Humidity (Operating)	5-95% RH, non-condensing	
	Operating Temperature	-20 ~ 60°C (-4 ~ 140°F)	
	Storage Temperature	-40 ~ 85°C (-40 ~ 185°F)	

Dimensions

Unit: mm



Ordering Information

- PCM-26D2CA-BE SJA1000 CANBus, DB9 x 2
- PCM-26D2CA-CE USB CANBus, DB9 x 2