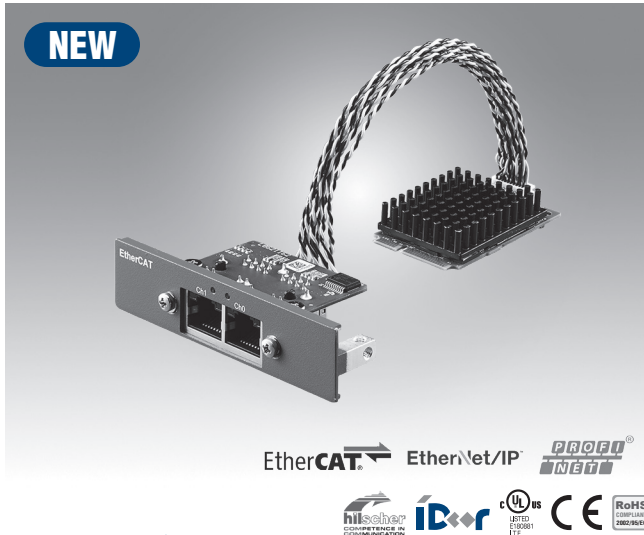


PCM-26R2EC PCM-26R2EI PCM-26R2PN

2-Port Hilscher netX100 FieldBus mPCIe, EtherCAT, RJ45

2-Port Hilscher netX100 FieldBus mPCIe, EtherNet/IP, RJ45

2-Port Hilscher netX100 FieldBus mPCIe, PROFINET, RJ45



Features

- Meets Advantech iDoor technology standard
- PCI Express Mini card specification revision 1.2 compliant
- Identical interface for all Hilscher Real-Time Ethernet fieldbus protocols
- Various colorful front plates for protocol identification
- Easy integration by wide range of device drivers
- High extended temperature range up to 70°C
- Compatible with embedded automation PC UNO-1/2/3/4 series

Introduction

The PCM-26R2 and PCM-26D1DB series are industrial communication modules supporting Fieldbus protocols. They are all compatible with the PCI Express® Mini Card Specification Revision 1.2 and support EtherCAT, EtherNet/IP, PROFINET, or PROFIBUS protocols, designed by Hilscher. Hilscher is a German company specializing in industrial communication and automation technology.

This is a flexible design that enables customers to customize their features with iDoor Technology.

Specifications

General

- Bus Type** PCI Express Mini Card Revision 1.2
- Certification** CE, UL
- Connectors** 2 x Female RJ45
- Dimensions** Module: 51 x 30 x 12.4 mm (2" x 1.18" x 0.49")
I/O Plate: 81 x 19.4 x 45 mm (3.19" x 0.76" x 1.61")
- Power Consumption** Typical : +3.3 V @ 650 mA

Communications

- Controller** Hilscher netX100
- Protocol** EtherCAT, EtherNET/IP, PROFINET
- Signal interface** Isolation 10BASE-T/100BASE-TX
- Speed** 100 Mbps, 10 Mbps (depending on loaded firmware)
- Displays** SYS, System status LED

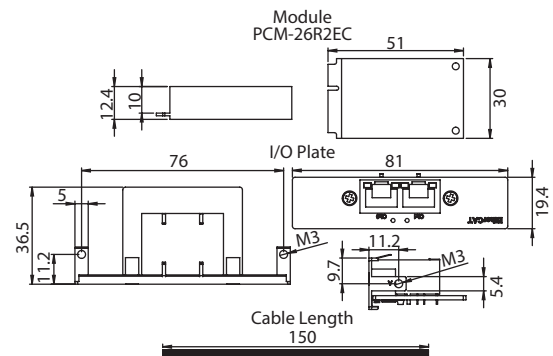
Software

- OS Device** Microsoft® Windows® 7/10, Linux
- Utility** SYCON.net

Environment

- Humidity (Operating)** 10-95% RH, non-condensing
- Operating Temperature** 0 ~ 70°C (32 ~ 140°F), w/ Air flow during measurement: 0,5 m/s
- Storage Temperature** 0 ~ 70°C (32 ~ 185°F)

Dimensions



Ordering Information

Client

- PCM-26R2EC-MAE / PCM-26R2EC-MBE** Hilscher netX100 FieldBus mPCIe, EtherCAT, RJ45 x2, MainDevice
- PCM-26R2EI-MAE / PCM-26R2EI-MBE** Hilscher netX100 FieldBus mPCIe, EtherNet/IP, RJ45 x2, Scanner
- PCM-26R2PN-MAE / PCM-26R2PN-MBE** Hilscher netX100 FieldBus mPCIe, PROFINET, RJ45 x2, IO-Controller

Server

- PCM-26R2EC-SAE / PCM-26R2EC-SBE** Hilscher netX100 FieldBus mPCIe, EtherCAT, RJ45 x2, SubordinateDevice
- PCM-26R2EI-SAE / PCM-26R2EI-SBE** Hilscher netX100 FieldBus mPCIe, EtherNet/IP, RJ45 x2, Adapter
- PCM-26R2PN-SAE / PCM-26R2PN-SBE** Hilscher netX100 FieldBus mPCIe, PROFINET, RJ45 x2, IO-Devider